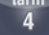


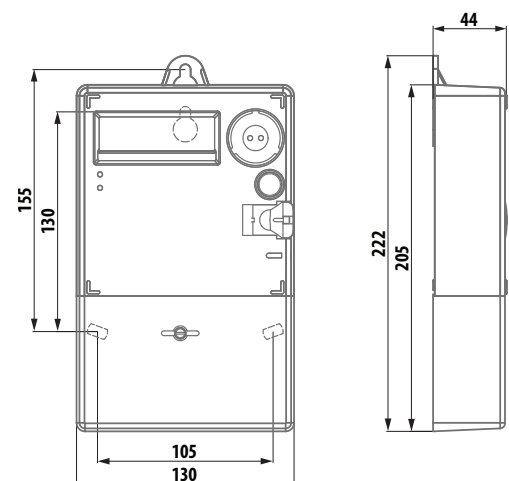


 kWh	Active Energy
 BS	 DIN BS / DIN housing
 IP54	Ingress protection
 Load profile	
 Optical port	
 Real-time clock	
 Event log	
 RS485	RS485 interface
 tariff 4	Multi-rate registration
 MID B	 IEC 1 Accuracy class
 Magnetic field detection	
 Photovoltaic ready	
 max	Maximum demand


The compactly designed single-phase ME172 is made to increase your revenues through antifraud protection and tailored metering functionalities. The meter is intended for residential and small commercial applications with the following functions:

- Extensive anti-tampering features
- Import/export energy management
- Photovoltaic friendly design
- “No power reading” functionality
- Extended load profile
- Time-of-use (TOU) – internal tariffication
- RS communication interface (RS485)

Meter dimensions



BASIC ME172 Single-phase multifunction meter

		ME172-D1 DIN	ME172-D3 BS
Type overview			
Network	Low voltage	•	•
Connection type	1P2W	•	•
Communication		RS485, Optical port	
Input – output options		Output S0, Output OPTOMOS	
Technical specifications			
Nominal voltage U_n		230 V	
Voltage range		0.8 – 1.15 U_n	
Reference frequency		50 Hz or 60 Hz	
Current	Base current I_b	5 A	
	Maximal current I_{max}	85 A	100 A
	Minimum current I_{min}	0,25 A	
Accuracy class	Active energy	Class A or B (EN 50470 - 3)	
Real-time clock	Accuracy	Better than ± 3 min/year at 23 °C	
	Back-up power supply	Li battery: 5 years life time up to 20 years	
Temperature ranges (IEC 62052 - 11)	Operation	-30 °C ... +70 °C; extended -40 °C ... +80 °C	
	Storage	-40 °C ... +85 °C	
Ingress protection IEC 60529		IP 54	
Liquid Crystal Display			
Basic functionality			
Measurement		Two way ("energy") measurements, One-way energy flow direction (import) with an electronic reverse running stop, Always positive energy registration regardless in which way the energy flows, Maximum current and demand measurement	
Load profiles		Load-profile recorder - up to more than 700 days, 1 channel and 1 hour, Maximum 2 channels, Possibility to set the recording period on 15, 30 or 60 minutes	
Communication		IEC 1107 compliance, Two communication interfaces: Optical port, RS485	
Real-time clock (RTC)		Compliant with IEC 62054 - 21 standard, RTC with callendar, based on 32 kHz quartz crystal, RTC accuracy: better than ± 3 min/year, operation reserve: 5 years, expected Li battery life time: 20 years, Counter of elapsed time of RTC operation, Li battery enables data display on LCD when meter is in no-power state	
Specific			
Backlit LCD display, Detection of opening main and terminal cover, External magnetic field detector, Detection of meter wiring, Secured communication channels, "Scroll" pushbutton and covered "Reset" pushbutton			
Optional			
RTC, Load profile, RS485 interface, Outputs			



Iskraemeco, Energy Measurement and Management
 4000 Kranj, Savska loka 4, Slovenia
 Telephone: +386 4 206 40 00
<http://www.iskraemeco.com>, e-mail: info@iskraemeco.com