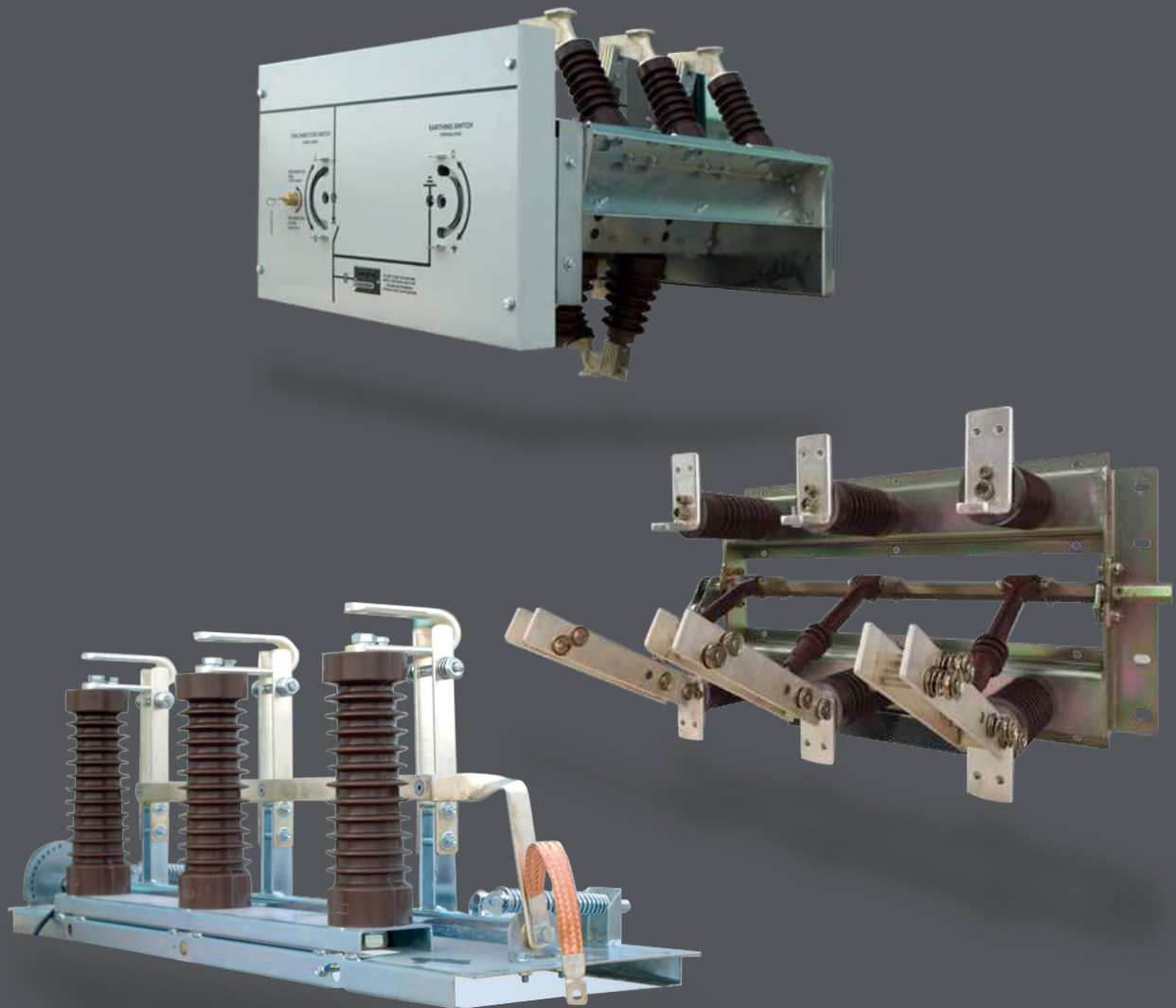


Switching Equipment



SRS, SDS, SES, ZX?

12 kV | 24 kV | 36 kV | 40.5 kV | 46 kV

SRS Type Rotary Disconnectors

In case of on-load switching operation is not necessary, the disconnect operation can be done safety without required any other switching equipment. In case of on-load switching operation is necessary, together with connectors or Circuit Breakers, the disconnecting operation can be done safety. SRS Type Rotary Disconnectors are manufacturing as 3 poles and 2 positions. Together with SES Type Earthing Disconnectors, SRS Type Rotary Disconnectors can be used as 3 poles and 3 positions.

Standards

- IEC 62271-102

Application Areas

- Medium Voltage Switchgear

Advantages

- Disconnecter position indicators are available at the operation mechanism.
- Due to the air insulation type, SRS Rotary Disconnecter
- Positions can be observe easily.
- In case of fault at the poles, related pole contacts can be easily replaced and the Disconnectors can continue to the operation with very low coast.
- Provides interlock between Disconnectors and earthing disconnectors to protect non proper operation.
- SRS Type Rotary Disconnecter operation mechanisms



- Provides mechanical interlock between switchgear doors and disconnectors to protect non proper operation.
- SRS Type Rotary Disconnecter operation mechanisms provides mechanical interlock between disconnecter and circuit breaker to protect non proper operation (Disconnecter and Circuit Breaker interlocks should be coupled)
- Enough free space into frame to install OVI and OVI-R Capacitive Voltage Indicators.
- In case of need 1 pcs Com - NO - NC Auxiliary Contact can be optionally install.
- SRS Type Rotary Disconnecter operation mechanisms

Technical Specifications

Product Type	Ur* (kV)	Ir (A)	Ik (kA)	tk	Ud (kV)	Up (kV)	Ip (kA)
SRS-12/630-1601	12	630	16	1 s	28	75	40
SRS-12/630-2001			20				50
SRS-12/630-2501			25				63
SRS-12/1250-1601		1250	16				40
SRS-12/1250-2001			20				50
SRS-12/1250-2501			25				63
SRS-36/630-1601	36	630	16		70	170	40
SRS-36/630-2001			20				50
SRS-36/630-2501			25				63
SRS-36/1250-1601			16				40
SRS-36/1250-2001			20				50
SRS-36/1250-2501			25				63

Dimensions

Product Type	Ur (kV)	Ik (kA)	Ud (kV)	Up (kV)	Ip (kA)	L (mm)	H (mm)	W (mm)	A (mm)	B (mm)	C (mm)	D (mm)	E (mm)	F (mm)	G (mm)	I (mm)	J (mm)	K (mm)
SRS-12/630-1601	12	16	28	12	40	862	700	742	200	200	195	110	645	713	725	220	345	159
SRS-12/630-2001		20			50	862	700	742	200	200	195	110	645	713	725	220	345	159
SRS-12/630-2501		25			63	862	700	742	200	200	195	110	645	713	725	220	345	159
SRS-12/1250-1601		31,5			80	862	700	742	200	200	195	110	645	713	725	220	345	159
SRS-12/1250-2001		40			100	862	700	742	200	200	195	110	645	713	725	220	345	159
SRS-12/1250-2501		50 (1sn)			125	862	700	742	200	200	195	110	645	713	725	220	345	159
SRS-36/630-1601	36	16	72	36	40	1462	890	992	350	350	345	110	1245	908	960	320	445	259
SRS-36/630-2001		20			50	1462	890	992	350	350	345	110	1245	908	960	320	445	259
SRS-36/630-2501		25			63	1462	890	992	350	350	345	110	1245	908	960	320	445	259
SRS-36/1250-1601		31,5			80	1462	890	992	350	350	345	110	1245	908	960	320	445	259
SRS-36/1250-2001		40 (1sn)			100	1462	890	992	350	350	345	110	1245	908	960	320	445	259
SRS-36/1250-2501		50 (1sn)			125	1462	890	992	350	350	345	110	1245	908	960	320	445	259

Ur : Rated voltage

Ir : Rated Current

Ik : Rated short time current

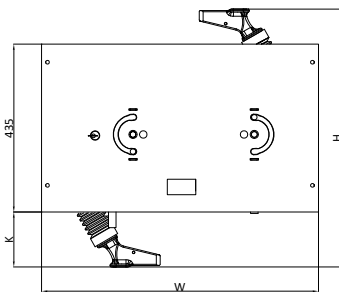
tk : Rated duration of short time circuit

Ud : Rated power frequency withstand voltage

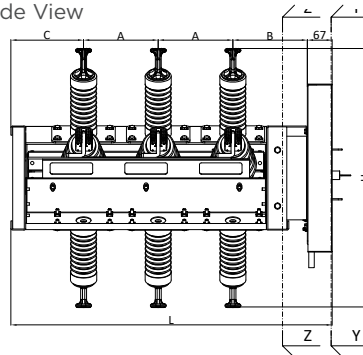
Up : Rated impulse withstand voltage

Ip : Rated peak withstand current

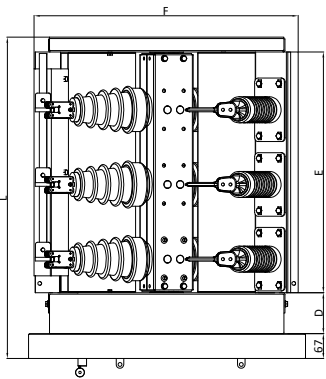
Front View



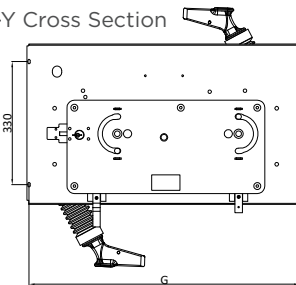
Side View



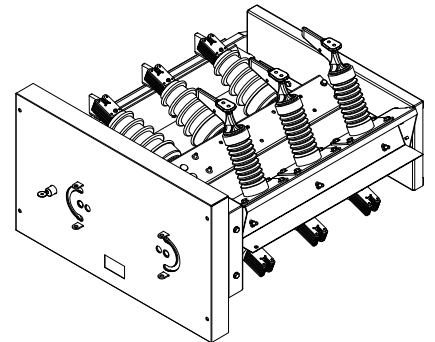
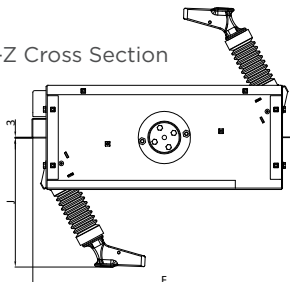
Top View



Y-Y Cross Section



Z-Z Cross Section



SDS Type

Disconnecter Switch

SDS series Air Insulated Disconnector Switches are designed up to 36 kV voltage level, up to 2500 A rated current, up to 31.5 kA/3sec short circuit withstand current. When on-load switching operation isn't necessary, the disconnecting operation can be done safely without required any other switching equipment.

Standarts

- IEC 62271-102

Application Areas

- Medium Voltage Switchgear

Advantages

- In case of on-load switching operation is necessary, together with Circuit Breakers or Contactors the disconnecting operation can be done safely.
- SDS Type Air Insulated Disconnectors are manufacturing according to IEC 62271-102 standards as 3 poles and 2 positions. SES Type
- Earthing Disconnectors are manufacturing according to IEC 62271-102 standards.
- Enough free space onto frame to install OVI and OVI-R Capacitive Voltage Indicators.
- In case of need 4 pieces NO - NC Auxiliary Contact can be optionally install.



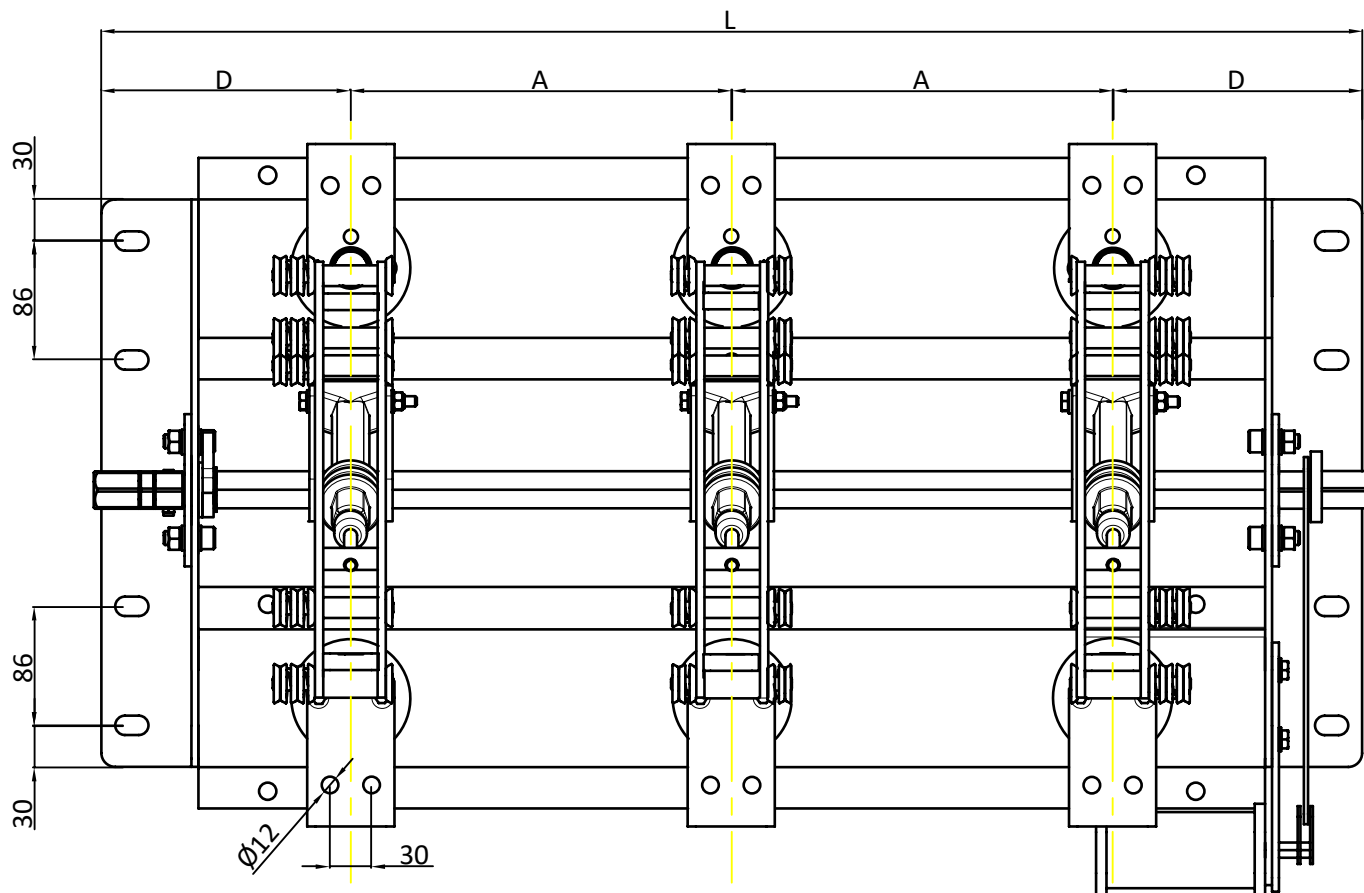
- In case of fault at the poles, related pole contacts can be easily replaced and the Disconnectors can continue to the operation with very low cost.
- The contacts and contact switches are made of drawn electrolytic copper and are silver plated. Compression springs are stainless and maintain the necessary contact force of the entire mechanics throughout their lifetime.
- Together with SES Type Earthing Disconnectors, SDS Type Disconnectors can be used as 3 poles and 3 positions.

Technical Specifications

Product Type	Ur (kV)	Ik (A)	Ud	Up (kV)	Ip (kA)
SDS-12/0630-1601	12	630	28	75	40
SDS-12/0630-2001					50
SDS-12/1250-2501		1250			63
SDS-12/1250-3101					80
SDS-24/0630-1601	24	630	50	12	40
SDS-24/0630-2001					50
SDS-24/1250-2501		1250			63
SDS-24/1250-3101					80
SDS-36/0630-1601	36	630	70	170	40
SDS-36/0630-2001					50
SDS-36/1250-2501		1250			63
SDS-36/1250-3101					80

Dimensions

Product Type	Ur (kV)	Ik* (kA)	Ud (kV)	Up (kV)	Ip (kA)	A (mm)	B (mm)	C (mm)	D (mm)	H (mm)	L (mm)	G (mm)
SDS-12/0630-1601	12	16	28	75	40	200	250	125	85	212	700	330
SDS-12/0630-2001		20			50							
SDS-12/1250-2501		25			63							
SDS-12/1250-3101		31,5			80							
SDS-24/0630-1601	24	16	50	125	40	275	310	150	115	292	910	410
SDS-24/0630-2001		20			50							
SDS-24/1250-2501		25			63							
SDS-24/1250-3101		31,5			80							
SDS-36/0630-1601	36	16	70	170	40	350	420	180	115	382	1060	520
SDS-36/0630-2001		20			50							
SDS-36/1250-2501		25			63							
SDS-36/1250-3101		31,5			80							



SES Type

Earthing Switches

SES series Earthing Switches are used for earthing the medium voltage systems in safety. Can operate with all type of disconnecter mechanism.

Standards

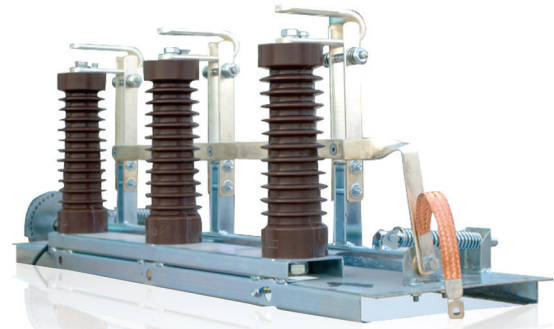
- IEC 62271-102

Application Areas

- Medium Voltage Switchgear

Advantages

- Due to the air insulated type, the disconnecter contact positions can be easily observe for SES Type Earthing Switches.
- SES Type Earthing Switches are manufacturing according to Type E2-B just to have capacity of making (5 times making capacity)
- OVI and OVI-R Capacitive Voltage Indicators can work with the signal from Capacitive Voltage Dividers for SES.



- If SES Type Earthing Switches install without SRS Type Rotary Disconnecter Switches, the earthing position signal can be collected by installing an auxiliary switch on to frame of SES.
- SES Type Earthing Switches can operate with all type of operation mechanism. Thanks to the air insulated type, disconnecter contact position can be observed easily.
- In case of need 1 pieces of heavy duty change over auxiliary contact can be optionally install.

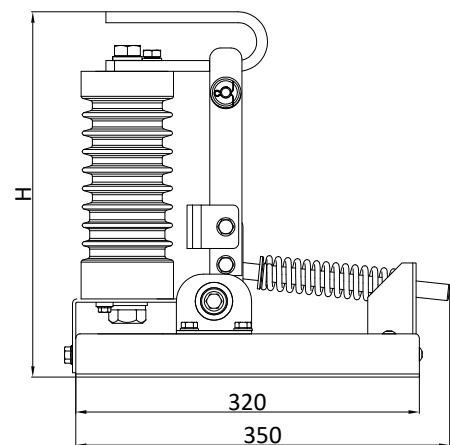
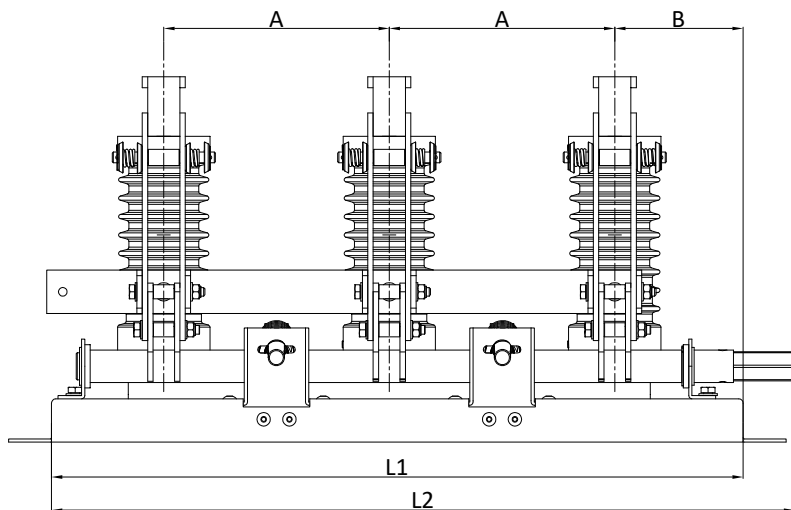
Technical Specification

Product Type	Ur (kV)	Ik* (kA)	Ud (kV)	Up (kV)	Ip (kA)
SES-12/0000-1601	12	16	28	75	40
SES-12/0000-2001		20			50
SES-12/0000-2501		25			63
SES-12/0000-3101		31,5			80
SES-12/0000-4001		40			100
SES-12/0000-5001		50			125
SES-24/0000-1601	24	16	50	125	40
SES-24/0000-2001		20			50
SES-24/0000-2501		25			63
SES-24/0000-3101		31,5			80
SES-24/0000-4001		40			100
SES-24/0000-5001		50			125
SES-36/0000-1601	36	16	70	170	40
SES-36/0000-2001		20			50
SES-36/0000-2501		25			63
SES-36/0000-3101		31,5			80
SES-36/0000-4001		40			100
SES-36/0000-5001		50			125
SES-40/0000-1601	40,5	16	90-120	190-210	40
SES-40/0000-2001		20			50
SES-40/0000-2501		25			63
SES-40/0000-3101		31,5			80
SES-40/0000-4001		40			100
SES-40/0000-5001		50			125

Dimensions

Product Type	Ur (kV)	Ik* (kA)	Ud (kV)	Up (kV)	Ip (kA)	L1 (mm)	L2 (mm)	H (mm)	A (mm)	B (mm)
SES-12/0000-1601	12	16	28	75	40	580	530	260	150/160	100
SES-12/0000-2001		20			50	580	530	260	150/160	100
SES-12/0000-2501		25			63	580	530	260	150/160	100
SES-12/0000-3101		31,5			80	580/710	530/660	260	150/160/210	100/120
SES-12/0000-4001		40			100	580/710	660/850	260	210/275	120/150
SES-12/0000-5001		50 (1sn)			125	580/710	660/850	260	210/275	120/150
SES-24/0000-1601	24	16	50	125	40	710/910	660/850	340	210/275	120/150
SES-24/0000-2001		20			50	710/910	660/850	340	210/275	120/150
SES-24/0000-2501		25			63	710/910	660/850	340	210/275	120/150
SES-24/0000-3101		31,5			80	710/910	660/850	340	210/275	120/150
SES-24/0000-4001		40			100	910	850	340	275	150
SES-24/0000-5001		50 (1sn)			125	910	850	340	275	150
SES-36/0000-1601	36	16	70	170	40	980/1170	930/1120	425	275/350	190/210
SES-36/0000-2001		20			50	980/1170	930/1120	425	275/350	190/210
SES-36/0000-2501		25			63	980/1170	930/1120	425	275/350	190/210
SES-36/0000-3101		31,5			80	980/1170	930/1120	425	275/350	190/210
SES-36/0000-4001		40 (1sn)			100	980/1170	930/1120	425	275/350	190/210
SES-36/0000-5001		50 (1sn)			125	980/1170	930/1120	425	275/350	190/210
SES-40/0000-1601	40,5	16	90-120	190-210	40	1310	1240	460	380	240
SES-40/0000-2001		20			50	1310	1240	460	380	240
SES-40/0000-2501		25			63	1310	1240	460	380	240
SES-40/0000-3101		31,5			80	1310	1240	460	380	240
SES-40/0000-4001		40 (1sn)			100	1310	1240	460	380	240
SES-40/0000-5001		50 (1sn)			125	1310	1240	460	380	240

* : Available with 3 seconds.





Headquarters

Bayraktar Bul. Şehit Sk. No: 5
34775 Ümraniye, İstanbul, TR
Phone : +90 (216) 314 93 20
Fax : +90 (216) 314 93 60
www.aktif.net - info@aktif.net



Germany Office

Bahnhofstrasse 82-86
35390 Giessen, Germany
Phone : +49 176 60940534
www.aktif.net
info.de@aktif.net



HV Factory

Akşemsettin Mah. Çatalca Sk. No: 113 06930
Sincan, Ankara, TR
Phone : +90 (312) 269 46 02
Fax : +90 (312) 269 45 01
www.aktif.net - info@aktif.net



LV Factory

Kargalı Hanbaba Organize Sanayi, 2. Sk.,
No: 5, Hendek, Sakarya, TR
Phone : +90 (264) 276 64 50
Fax : +90 (264) 276 64 52
www.aktif.net - info@aktif.net

