

Medical Isolation Transformers



IT Series

IT 3.15 | IT 4 | IT 5 | IT 6.3 | IT 8 | IT 10

aktif

Medical Isolation Transformers

IT Series

IT series medical isolation transformers are designed compatible with IEC 60364-7-710 standards for power supply of single phase IT systems and produced in accordance with IEC 61558-2-15 standards. Medical isolation transformers comply with IT systems in medical locations.

IT series medical isolation transformers with galvanically isolated windings provide temperature monitoring thanks to PTC thermistors placed in the windings. IT series medical isolation transformers designed at 6 different power value between 3.15...10 kVA have high excessive load capacities.

Isolation transformers are used to convert the AC current to a different isolated AC current so that, the equipment and devices it supplies are not affected by electrical faults. Isolation transformers are also used for protection against electrical shocks with their galvanically isolated windings, for suppressing electrical noises for sensitive devices and for power transfer between two unconnected circuits.

Isolation transformers are designed to reduce the effect of electrical faults. Thanks to the electrostatic protection, isolation transformers are used for the power supply of operating rooms, laboratory instruments, intensive care units and similar sensitive devices.



In the IT system different from TN and TT systems, when an insulation failure occurs, IT systems ensures that there is no electrical problem by preventing the circuit breakers from tripping and interrupting the system. The medical equipment continues to function, the fault currents are reduced to non-critical values, and the energy interruption is prevented.

Application Areas

- Operating rooms
- Intensive care rooms
- Anesthetic rooms
- Premature baby rooms
- Operating preparation rooms
- Operating recovery rooms
- Heart catheterization rooms
- Angiographic examination rooms

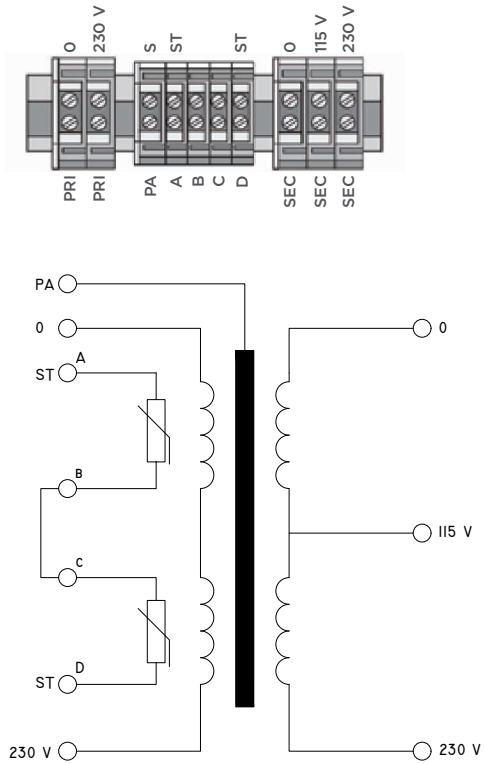
Advantages

- Cu or Al windings
- 3.15 / 4 / 5 / 6.3 / 8 / 10 kVA rated power option
- High excessive load capacity

Standards

- IEC 61558-2-15
- IEC 60364-7-710

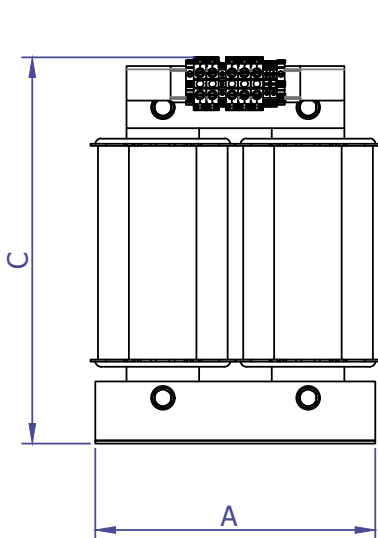
Wiring Diagram



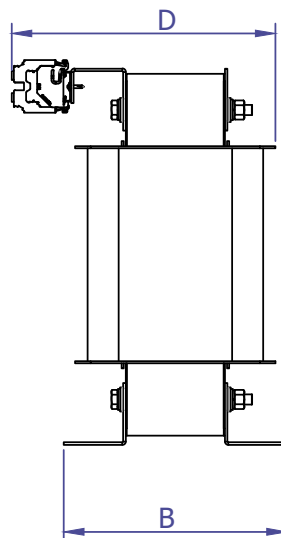
Technical Specifications	
Type	IT
Power range	3.15/4/5/6.3/8/10 kVA
Frequency	50/60 Hz
Primary voltage	230 Vac
Secondary voltage	230/115 Vac
Windings	Al or Cu
Inrush current (I _e)	< 12.I _n
Leakage current	< 0,5 mA
No-load input current (I _o)	< 3%
No-load output current (I _o)	< 236 Vac
Short-circuit voltage (U _k)	< 3%
Max ambient temp.	40°C
Protection class	IP 21 (optional)
Isolation class	B (120), F (155), H (180) °C
Cooling	Air cooling
Standards	IEC 61558-2-15 IEC 60364-7-710

Dimensions

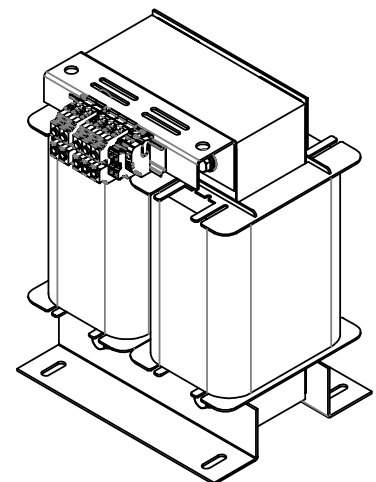
Type	Power	A(mm)	B(mm)	C(mm)	D(mm)	Weight(kg)	Type
IT-3.15	3.15 kVA	170	195	250	215	30	IT-3.15
IT-4	4 kVA	170	195	250	215	32	IT-4
IT-5	5 kVA	270	145	370	185	50	IT-5
IT-6.3	6.3 kVA	300	145	400	200	57	IT-6.3
IT-8	8 kVA	300	160	400	200	67	IT-8
IT-10	10 kVA	270	216	372	256	82	IT-10



Front View



Side View



Isometric View



Headquarters

Bayraktar Bul. Şehit Sok. No: 5
34775 Ümraniye, İstanbul, TR
Phone : +90 (216) 314 93 20
Fax : +90 (216) 314 93 60
www.aktif.net - info@aktif.net



Germany Office

Bahnhofstrasse 82-86 35390
Giessen, Germany
Phone : +49 176 60940534
www.aktif.net
info.de@aktif.net



HV Factory

Akşemsettin Mah. Çatalca Sk. No: 113 06930
Sincan, Ankara, TR
Phone : +90 (312) 269 46 02
Fax : +90 (312) 269 45 01
www.aktif.net - info@aktif.net



LV Factory

Kargalı Hanbaba Organize Sanayi, 2. Sk.,
No: 5, Hendek, Sakarya, TR
Phone : +90 (264) 276 64 50
Fax : +90 (264) 276 64 52
www.aktif.net - info@aktif.net

