

M-Bus/Modbus RTU Protocol Converters



M-Bus20-ST

M-Bus/Modbus RTU Protocol Converters

M-Bus20-ST

M-Bus/Modbus RTU protocol converters are an ideal solution for energy management applications. M-Bus20-ST is used for data exchange between different communication protocols and can be compatible with many different devices. M-Bus20-ST is designed to facilitate data exchange between M-Bus and Modbus RTU communication protocols. It is used to exchange data between measurement devices using the M-Bus protocol and devices using the Modbus RTU protocol.

Especially in communication with devices that perform consumption measurements such as energy meters, water meters, gas meters, and heat meters, the M-Bus protocol is widely used. Therefore, M-Bus/Modbus RTU protocol converters enable the use of such devices in energy management systems, facilitating data exchange between management centers and meters.

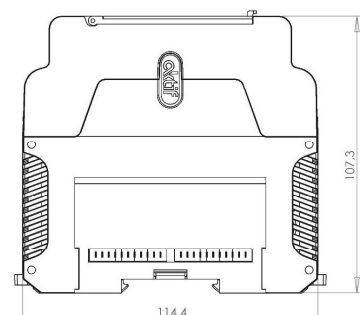
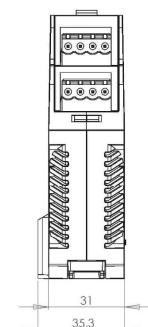
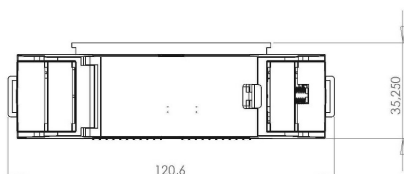
M-Bus20-ST offers many advantages such as high performance, ease of use, and affordability. It is a high-quality device designed for energy management system applications. The device operates on a 24 VDC power supply and supports up to 20 M-Bus devices. It can be easily mounted with its DIN rail mounting feature. M-Bus20-ST is equipped with two LED indicators, RUN and POWER. The RUN LED indicates that the device is operational, while the POWER LED indicates that the device has power supply.

Advantages

- Low power consumption
- Compact design
- Easy installation

Applications

- Shopping centers
- Residential projects
- Industrial facilities
- Hotel projects



Technical Specifications

- Power Supply Voltage : 24 VDC
- Communication Protocol : M-Bus / Modbus RTU
- Number of Connections : Up to 20 devices
- Power : 4 Watts
- LEDs : RUN, PWR
- Mounting Type : DIN Rail
- Dimensions (w x h x d) : (35.3 x 120.6 x 107.3)

Modbus RTU Communication Speed
300
600
1200
2400
4800
9600
14400
19200
28800
38400
56000
57600
115200

M-Bus Communication Speed
300
2400
9600



Headquarters

Bayraktar Bul. Şehit Sk. No: 5
34775 Ümraniye, İstanbul, TR
Phone : +90 (216) 314 93 20
Fax : +90 (216) 314 93 60
www.aktif.net - info@aktif.net



Germany Office

Bahnhofstrasse 82-86
35390 Giessen, Germany
Phone : +49 176 60940534
www.aktif.net
info.de@aktif.net



HV Factory

Akşemsettin Mah. Catalca Sk.No.113 06930
Sincan, Ankara, TR
Phone : +90 (312) 269 46 02
Fax : +90 (312) 269 45 01
www.aktif.net - info@aktif.net



LV Factory

Kargalı Hanbaba Organize Sanayi, 2. Sk.,
No: 5, Hendek, Sakarya, TR
Phone : +90 (264) 276 64 50
Fax : +90 (264) 276 64 52
www.aktif.net - info@aktif.net

