

NDM70 Rail Type Three Phase Electricity Meter



NDM-70

Rail Type Three Phase Electricity Meter

Thanks to the Modbus RTU communication protocol, it can be used in all software system solutions. It is suitable for rail-type application solutions and can be converted to panel type with additional equipment. It is very suitable for use in places with large energy infrastructures with high measurement points such as residences, shopping malls, and high-rise residential buildings. The NDM 70 is also suitable for use in common usage points. In systems where generators are used, this expenditure needs to be priced separately, as the energy transmission costs with generators are higher. This separate measurement is possible in rail-type energy analyzers with the network/generator tariff version.

Application Areas

- Shopping Malls
- Industrial Zones
- Electric Distribution Companies
- Marinas
- Residences
- Airports
- Factories
- Holiday Villages

Standards

- IEC620 53-21
- IEC620 53-23
- IEC61557-12

Advantages

- Suitability for rail-type application solutions,
- Convertible to panel type with additional equipment,
- Class 0.5 and class 1 application,
- Competitive prices,
- Compatibility with all software through Modbus RTU protocol communication,
- Wide range of solutions with direct and current transformer models,



- Measurement capability up to 100 Amperes with direct type meters,
- Bidirectional measurement capability,
- Takes up less space compared to competitors,
- Proven reliability with unique design,
- Billing option for high-cost liquid fuels with generator tariff types,
- Easy payment collection from subscribers and the advantage of pre-collected amounts with prepaid types,
- Higher measurement accuracy classes compared to analyzers,
- Wide measurement range

Features

- Un 3X230/400VAC
- Impedance 1M Ω
- Frequency Range 50/60Hz
- Basic Current 3X5(100)A
- Operational Current Range 0.4%Ib-I_{max}
- Over Current Withstand 30I_{max} for 0.01S
- Impedance <1 m Ω

Accuracy

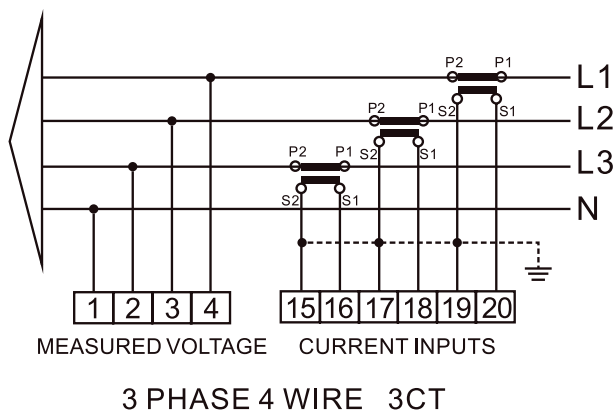
- Active Power $\pm 1\%$ of range maximum
- Reactive power (VAR) $\pm 1\%$ of range maximum
- Apparent power (VA) $\pm 1\%$ of range maximum
- Active Energy IEC620 53-21 Class 1.0
- Reactive Energy IEC620 53-23 Class 2, IEC61557-12 Class 2
- Frequency $\pm 0.2\%$
- Current $\pm 0.5\%$
- Voltage $\pm 0.5\%$
- Power Factor ± 0.01

- Data Update Rate 1 second nominal
- Power Consumption Per Phase $\leq 2W/10VA$
- Max Reading 999999.99kwh/kvarh

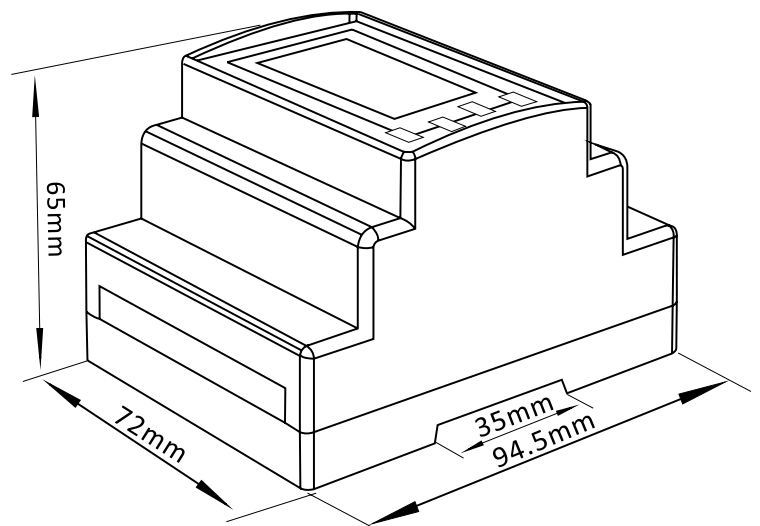
Environmental Characteristics

- Operating Temperature -25 to 55°C
- Storage Temperature -40 to 70°C
- Humidity Rating <95% RH at 50 °C (non-condensing)
- Pollution Degree 2
- Altitude 2000m

Wiring Diagram



Dimensions





Headquarters

Bayraktar Bul. Şehit Sok. No: 5
34775 Ümraniye, İstanbul, TR
Phone : +90 (216) 314 93 20
Fax : +90 (216) 314 93 60
www.aktif.net - info@aktif.net



Germany Office

Bahnhofstrasse 82-86
35390 Giessen, Germany
Phone : +49 176 60940534
www.aktif.net
info.de@aktif.net



HV Factory

Akşemsettin Mah. Atalca Sk. No: 113 06930
Sincan, Ankara, TR
Phone : +90 (312) 269 46 02
Fax : +90 (312) 269 45 01
www.aktif.net - info@aktif.net



LV Factory

Kargalı Hanbaba Organize Sanayi, 2. Sk.,
No: 5, Hendek, Sakarya, TR
Phone : +90 (264) 276 64 50
Fax : +90 (264) 276 64 52
www.aktif.net - info@aktif.net

