

Smart Data Controller



Pi Edge Series

NB-IoT | LoRa | DI/DO | AI | RS485

RS232 | M-Bus | Wireless M-Bus | Pulse Input | Relay Output

Smart Data Controller

Pi Edge Series

Pi Edge is a modular smart data controller series used for recording and controlling data for any automation process from building to machinery.

The main controller of the Pi Edge series, CPU100 is an ARM Cortex A72 processor-based compact product. Besides the main controller, it offers a wide area of use with its more than 10 modules.

While the Pi Edge series provides a high level of automation service, it provides an advantage with its long-term operation without maintenance and low failure probability. In addition, if the technical requirements of the system change, it will adapt to the new situation with less or no change thanks to its modular structure.

Application Areas

- Energy & Utilities
- Industrial facilities
- Water, wastewater, and water tank monitoring
- Smart cities

Functions and Technical Details

CPU

- Operating System : Custom Linux
- Processor : Quad Core ARM Cortex A72
64-bit 1.5GHz
- RAM : 1 GB LPDDR4
- Memory : 16 GB
- Interface : 1 x Gigabit Ethernet,
1 x USB 2.0
- Others : RTC, micro SD card
- LED Indicators : PWR, RUN

LoRa Interface

- Frequency : 433 MHz / 868 MHz
- TX Power : Up to +14 dBm
- Coverage : Up to 15 km at suburban area
Up to 5 km at urban area
- Data rate : Up to 300 kbps with FSK modulation
Up to 10.9 kbps with LoRa Technology Modulation
- Connector : SMA-K



- Transportation
- Agriculture and livestock sector
- Hospital

Advantages

- Modular Structure
- Wireless Communication Solutions
- Wired Communication Solutions
- Digital / Analog Input and Output Modules
- Wide Communication Protocols
- Customizable Software

Cellular Interface

- Bands
LTE Cat NB2: B1 / B2 / B3 / B4 / B5 / B8 / B12 / B13 / B18 / B19 / B20 / B25 / B28 / B66 / B71 / B88
LTE Cat M1 : B1 / B2 / B3 / B4 / B5 / B8 / B12 / B13 / B18 / B19 / B20 / B25 / B26 / B27 / B28 / B66 / B85
GSM : 850 / 900 / 1800 / 1900 MHz
- Protocols : UDP / TCP / SNTP / PPP / SSL / TLS / MQTT / CoAP / LwM2M / HTTP / HTTPS / FTP / FTPS
- Sim : Micro SIM
- Connector : SMA-K

Analog Inputs

- Channel : 4 channels
- Input Range : 0 – 10 Vdc
- Signal Resolution : 12 bit

M-Bus

- Number of Slave : Up to 20 devices
- Baud Rate : 300 – 9600 bps

Digital Inputs

- Channel : 8 ch.
- Isolation : 3750 Vac
- Maximum Voltage : 30 Vdc
- LED Indicators : PWR, RUN, 8 x IN

Digital Outputs

- Channel : 8 channels
- Isolation : 3750 Vac
- Configurable Output: Internal - 24 Vdc
External - Max. 30 Vdc
- Output Current : 350 mA per channel
- Over Current Protection : 500 mA

Relay Outputs

- Channel : 4 channels
- Contact Form : SPDT (1C)
- Max. Switching Voltage : 250 Vac / 30 Vdc
- Max. Switching Current : 5A (NO) / 3A (NC)
- Durability : 50,000 operations @ 5A
- Terminals : NO, COM, NC

Wireless M-Bus

- Protocols : T, S, C modes
- Frequency : 433, 470, 868, 915, 920 MHz
- TX Power : Up to +16 dBm

RS485/RS232

- Baud Rate : 300 – 115200 bps
- Data Bit : 7, 8 bits
- Parity : None, Even, Odd
- Stop Bit : 1, 2 bits

Pulse Inputs

- Channel : 4 channels
- Isolation : 3750 Vac
- Contact Type : Dry contact with GND

Environmental Factors

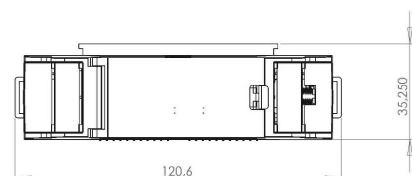
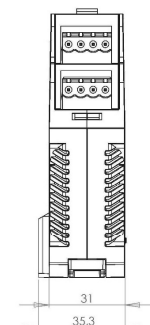
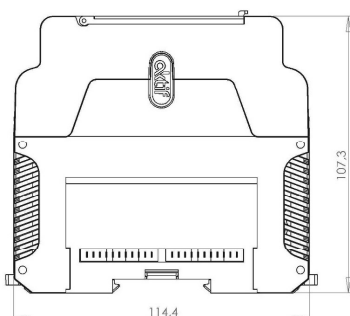
- IP Rating : IP30
- Dimensions : 35.3 x 120.6 x 107.3 mm
(for each module)
- Installations : DIN rail
- Operating Temp. : -10 ... 80 °C
- Storage Temp. : -40 ... 85 °C
- Relative Humidity : 5 ... 90% RHE

Modules

- CPU100 : Main Controller
- s1-PWR : Power Module
- s1-TRMN-L : Left Side Termination
- s1-TRMN-R : Right Side Termination
- s1-DI8 : Digital Input (8 ch.)
- s1-DO8 : Digital Output (8 ch.)
- s1-RO4 : Relay Output (4 ch.)
- s1-AI4 : Analog Input (4 ch.)
- s1-PI4 : Pulse Input (4 ch.)
- s1-RS485 : RS485 Com. Module
- s1-RS232 : RS232 Com. Module
- s1-MBUS20 : M-Bus Com. Module
(up to 20 devices)
- s1-WMBUS* : Wireless M-Bus Com. Module
- s1-NBIOT** : NB-IoT Com. Module
- s1-LORA** : LoRa Com. Module

* Coming soon

** Coming soon





Headquarters

Bayraktar Bul. Şehit Sok. No: 5
34775 Ümraniye, İstanbul, TR
Phone : +90 (216) 314 93 20
Fax : +90 (216) 314 93 60
www.aktif.net - info@aktif.net



Germany Office

Bahnhofstrasse 82-86
35390 Giessen, Germany
Phone : +49 176 60940534
www.aktif.net
info.de@aktif.net



HV Factory

Akşemsettin Mah. Atalca Sk. No: 113 06930
Sincan, Ankara, TR
Phone : +90 (312) 269 46 02
Fax : +90 (312) 269 45 01
www.aktif.net - info@aktif.net



LV Factory

Kargalı Hanbaba Organize Sanayi, 2. Sk.,
No: 5, Hendek, Sakarya, TR
Phone : +90 (264) 276 64 50
Fax : +90 (264) 276 64 52
www.aktif.net - info@aktif.net

